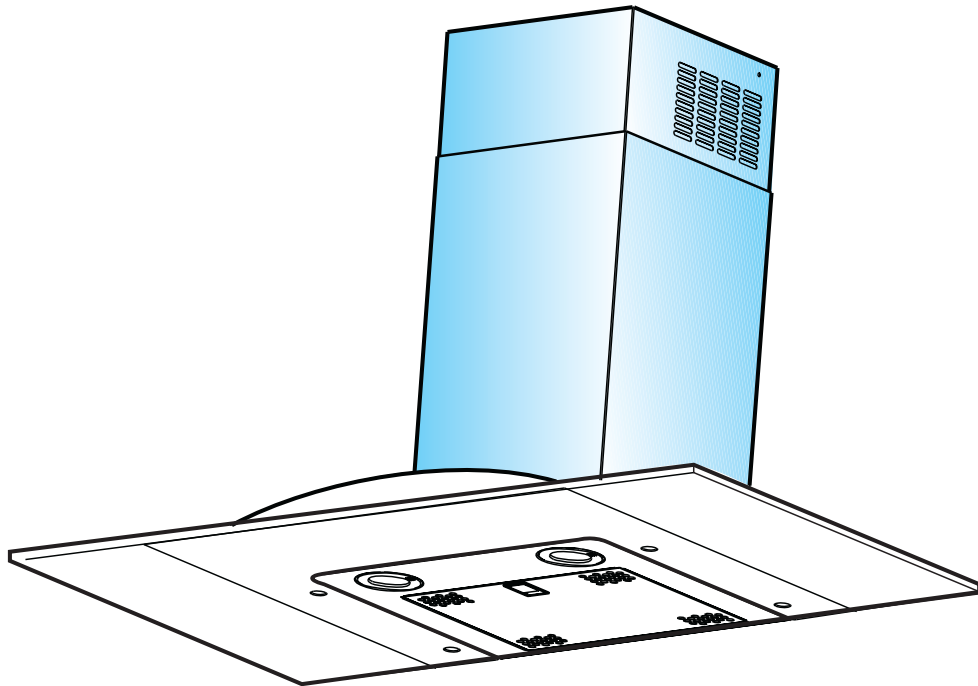




Gebrauchsanweisung, Notice d'utilisation et d'installation, Installatie- en gebruiksaanwijzing

# EFC 9440

User manual, Instrucciones de montaje y manejo, Manual de Instruções



**D** **F** **NL** **UK** **E** **P**

<b>Safety warnings</b> .....	<b>32</b>
For the installer .....	32
For the user .....	33
<b>Description of the Appliance</b> .....	<b>34</b>
Extraction .....	34
Recirculation .....	34
<b>Control Panel</b> .....	<b>34</b>
<b>Maintenance and care</b> .....	<b>35</b>
Cleaning the hood .....	35
Metal grease filter .....	35
Removing the metal grease filter .....	35
Charcoal filter .....	36
Changing the light bulb .....	36
<b>What to do if</b> .....	<b>37</b>
<b>Special accessories</b> .....	<b>37</b>
<b>Technical assistance service</b> .....	<b>38</b>
<b>Service and spare parts for UK</b> .....	<b>38</b>
<b>Technical Specifications</b> .....	<b>38</b>
<b>Installation</b> .....	<b>39</b>
Unpacking .....	39
Location .....	39
Electrical connection .....	39
Mounting accessories included .....	40
Wall unit mounting .....	41

Before you use the cooker hood we recommend that you read through the whole user manual giving a direct description of the cooker hood and its functions.

To avoid the risks, that are always present when you use a product driven by electricity, it is important that the cooker hood is installed correctly and that you read the safety instructions carefully to avoid misuse and hazard. Save the instruction manual and keep it available at use of the cooker hood



## Safety warnings

### For the installer

- When used as an extractor unit, the hood must be fitted with a 150mm diameter hose.
- Should there already be a pipe with a diameter of 125mm that ducts to the outside through the wall or roof, it is possible to use the 150/125 mm reduction flange provided. In this case the hood will be slightly noisier.
- **When installing the hood, make sure you respect the following minimum distance from the top edge of the cooking hob/ring surfaces:**

<b>electric cookers</b>	<b>500 mm</b>
<b>gas cookers</b>	<b>700 mm</b>

The hood can be installed above these heights but for optimum performance it should be installed at the distance quoted for the appropriate heat source.
- The national Standard on fuel-burning systems specifies a maximum depression of 0.04 mbar in such rooms.
- The air outlet must not be connected to chimney flues or combustion gas ducts. The air outlet must under no circumstances be connected to ventilation ducts for rooms in which fuel-burning appliances are installed.
- The air outlet installation must comply with the regulations laid down by the relevant authorities.
- When the unit is used in its extractor version, a sufficiently large ventilation hole must be provided, with dimensions that are approximately the same as the outlet hole.
- National and regional building regulations impose a number of restrictions on using hoods and fuel-burning appliances connected to a chimney, such as coal or oil room-heaters and gas fires, in the same room.
- Hoods can only be used safely with appliances connected to a chimney if the room and/or flat (air/environment combination) is ventilated from outside using a suitable ventilation hole approximately 500-600 cm<sup>2</sup> large to avoid the possibility of a depression being created during operation of the hood.
- If you have any doubts, contact the relevant controlling authority or building inspector's office.
- Since the rule for rooms with fuel burning appliances is "outlet hole of the same size as the ventilation hole", a hole of 500-600 cm<sup>2</sup>, which is to say a larger hole, could reduce the performance of the extractor hood.
- If the hood is used in its filtering function, it will operate simply and safely in the above conditions without the need for any of the

aforementioned measures.

- When the hood is used in its extractor function, the following rules must be followed to obtain optimal operation:
  - short and straight outlet hose
  - keep bends in outlet hose to a minimum
  - never install the hoses with an acute angle, they must always follow a gentle curve.
  - keep the hose as large as possible (preferably the same diameter as the outlet hole).
- Failure to observe these basic instructions will drastically reduce the performance and increase the noise levels of the extractor hood.


## For the user

- The cooker hood is designed to extract unpleasant odours from the kitchen, it will not extract steam.
- Always cover lighted elements, to prevent excess heat from damaging the appliance. In the case of oil, gas and coal fired cookers it is essential to avoid open flames.
- Also, when frying, keep the deep frying pan on the cooker top/cooker under careful control.
- The hot oil in the frying pan might ignite due to overheating.
- The risk of self-ignition increases when the oil being used is dirty.
- It is extremely important to note that overheating can cause a fire.
- **Never carry out any flambé cooking under the hood.**
- **Always disconnect the unit from the power supply before carrying out any work on the hood, including replacing the light bulb** (take the cartridge fuse out of the fuse holder or switch off the automatic circuit breaker).
- **It is very important to clean the hood and replace the filter at the recommended intervals. Failure to do so could cause grease deposits to build up, resulting in a fire hazard.**
- The appliance is not intended for use by young children or infirm persons without supervision.
- Young children should be supervised to ensure that they do not play with the appliance.
- **WARNING** - Ensure that the appliance is switched off before replacing the lamp to avoid the possibility of electric shock.

This appliance is marked according to the European directive 2002/96/EC on Waste Electrical and Electronic Equipment (WEEE).

By ensuring this product is disposed of correctly, you will help prevent potential negative consequences for the environment and human health, which could otherwise be caused by inappropriate waste handling of this product.



The symbol  on the product, or on the documents accompanying the product, indicates that this appliance may not be treated as household waste. Instead it shall be handed over to the applicable collection point for the recycling of electrical and electronic equipment.

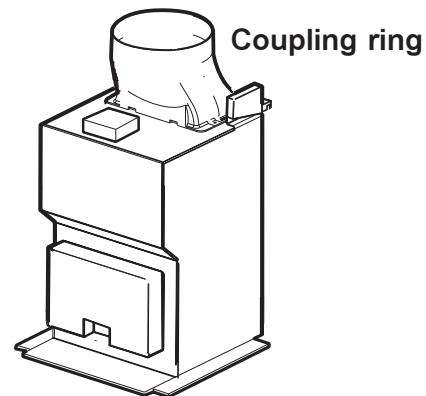
Disposal must be carried out in accordance with local environmental regulations for waste disposal. For more detailed information about treatment, recovery and recycling of this product, please contact your local city office, your household waste disposal service or the shop where you purchased the product.

# Description of the Appliance

- The hood is supplied as an extractor unit and can also be used with a filtering function by fitting one charcoal filter.
- You will need an original charcoal filter for this function (Available from your local Service Force Centre).

## Extraction

- In this version fumes are extracted to the outside via a hose connected to the coupling ring. **Fig. 1**.
- In order to obtain the best performance the hose should have a diameter equal to the outlet hole.



**Fig. 1**

## Recirculation

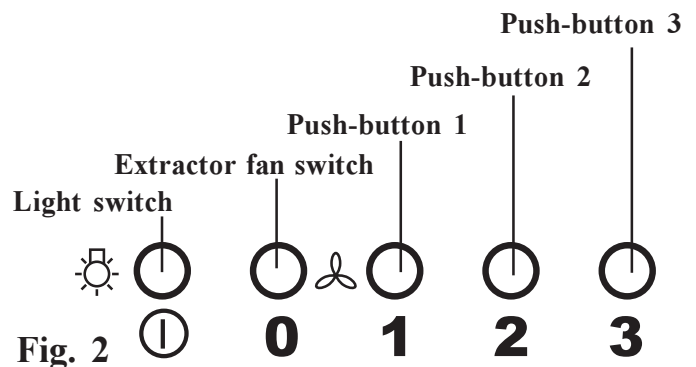
- The air is filtered through a charcoal filter and returned to the kitchen.
- You will need an original charcoal filter for the filtering function. (See Special Accessories).

# Control Panel

- Best results are obtained by using a low speed for normal conditions and a high speed when odours are more concentrated. Turn the hood on a few minutes before you start cooking, you will then get an under pressure in the kitchen. The hood should be left on after cooking for about 15 minutes or until all the odours have disappeared. The control switches are located on the unit's front panel:
- **Light switch:** this switch is used to turn the light fitted in the hood on and off.
- **Extractor fan switch:** used to turn the fan off.
- **Push-button 1:** used to set the fan to speed 1.
- **Push-button 2:** used to set the fan to speed 2.
- **Push-button 3:** used to set the fan to speed 3.

## Correct ventilation

If the cooker hood is to work correctly there must be a lower air pressure in the kitchen. It is important to keep the kitchen windows closed and have a window in an adjacent room open.



**Fig. 2**

## Important:

This is not applicable for recirculation. Great care must be taken if the hood is used at the same time as a burner or fireplace (e.g. gas, diesel, coal or wood heaters, water heaters, etc.), as the hood will expel air which is required by these other appliances. In this situation, ensure that a window is open. The negative pressure in the room must not exceed 0,04 mbar to prevent fumes being drawn back into the room by the cooker hood.

# Maintenance and care

- The hood must always be disconnected from the electricity supply before beginning any maintenance work.

## Cleaning the hood

- Clean the outside of the hood using a damp cloth and a mild detergent.
- Never use corrosive, abrasive or flammable cleaning products.
- Never insert pointed objects in the motor's protective grid.
- Wash the outside surfaces using a delicate detergent solution. Never use caustic detergents or abrasive brushes or powders.
- Only ever clean the switch panel and filter grille using a damp cloth and delicate detergents.
- It is extremely important to clean the unit and change the filters at the recommended intervals. Failure to do so will cause grease deposits to build up that could constitute a fire hazard.

## Metal grease filter

- The purpose of the grease filters is to absorb grease particles which form during cooking and it **must** always be used, either in the external extraction or internal recycling function.  
Attention: the metal grease filters must be removed and washed, either by hand or in the dishwasher, every four weeks.

## Removing the metal grease filter

- First, push the metal grease filter stop (**f1**) backwards, then extract the filter (**f2**), pulling downwards. **Fig. 3**.

### Hand washing

Soak grease filters for about one hour in hot water with a grease-loosening cleaner, then rinse off thoroughly with hot water. Repeat the process if necessary. Refit the grease filters when they are dry.

### Dishwasher

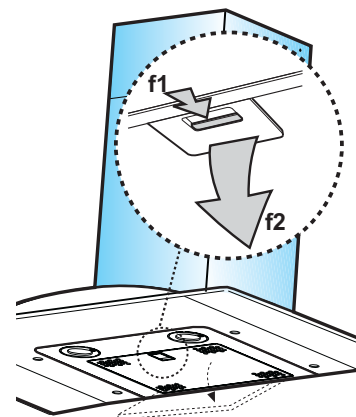
Place grease filters in the dishwasher. Select most powerful washing programme and highest temperature, at least 65°C. Repeat the process. Refit the grease filters when they are dry.

When washing the metal grease filter in the dishwasher a slight discolouration of the filter can occur, this does not have any impact on its performance.

- Clean the inner housing using a hot detergent solution only (never use caustic detergents, abrasive powders or brushes).

## Warning

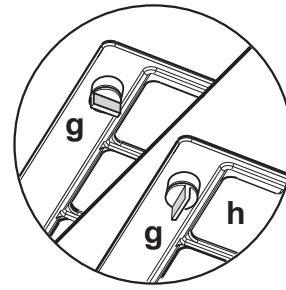
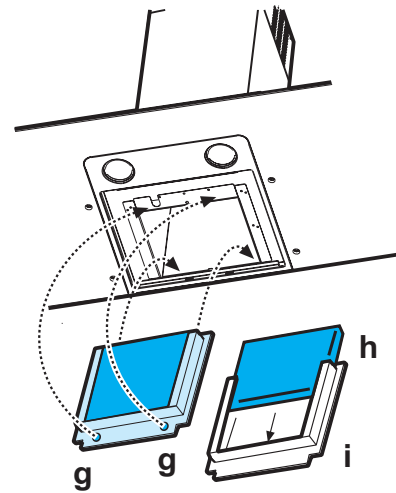
- Failure to observe the instructions on cleaning the unit and changing the filters will cause a fire hazard. You are therefore strongly recommended to follow these instructions.
- The manufacturer declines all responsibility for any damage to the motor or any fire damage linked to inappropriate maintenance or failure to observe the above safety recommendations.



**Fig. 3**

## Charcoal filter

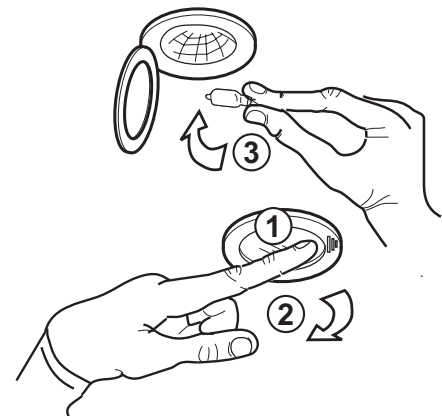
- The charcoal filter should only be used if you want to use the hood in the recirculation function.
- To do this you will need an original charcoal filter (available from your local Service Force Centre).
- **Cleaning/replacing the charcoal filter**  
Unlike other charcoal filters, the **LONGLIFE** charcoal filter can be cleaned and reactivated. At normal use the filter should be cleaned every second month (when using the hood 2,5 hours per day, in average). The best way to clean the filter is in the dishwasher. Use normal detergent and choose the highest temperature (65° C). Wash the filter separately so that no food parts gets stuck on the filter and later causes bad odours. To reactivate the charcoal, the filter should be dried in an oven for 10 minutes with a temperature of maximum 100° C.  
After approximately three years of use, the carbon filter should be replaced with a new, as the odour reduction capacity will be reduced.
- **Fitting**  
Remove the frame **i** which supports the filter **h** by turning 90° the two knobs **g**. Insert the charcoal filter inside the frame and put all parts back in their place. **Fig. 4**.
- **To remove** proceed in the reverse order.
- Always specify the hood model code number and serial number when ordering replacement filters. This information is shown on the registration plate located on the inside of the unit.
- The charcoal filter can be ordered from your local Service Force Centre.



**Fig. 4**

## Changing the light bulb - Fig. 5

- Disconnect the cooker hood from the main supply.
- Press (1) the lamp cover (2) and open it.
- Replace the old bulb with a new one of the same type (3).
- Close the lamp cover (4).
- If the light does not come on, make sure the bulb has been inserted correctly before contacting your local Service Force Centre.



**Fig. 5**

## What to do if

If your appliance fails to work properly please carry out the following checks.

Symptom	Solution
The cooker hood will not start...	Check that: The hood is connected to the electricity supply. Check that a fan speed has been selected
The cooker hood is not working	Check that: The fan speed is set high enough for the task. The grease filters are clean. The kitchen is adequately vented to allow the entry of fresh air. If set up for recirculation, check that the charcoal filter is still effective. If set up for extraction, check that the ducting and outlets are not blocked.
The cooker hood has switched off during operation...	The safety cut-out device has been tripped. Turn off the hob and then wait for the device to reset. If the hood has been installed below the heights indicated in the installation instructions the motor will cut-out frequently which will damage the hood.

If after all these checks, the problem persists, contact your local Service Force Centre, quoting the model and serial number.

Please note that it will be necessary to provide proof of purchase for any in-guarantee service calls.

In-guarantee customers should ensure that the above checks have been made as the engineer will make a charge if the fault is not a mechanical or electrical breakdown.

## Special accessories

Charcoal filter Type 20



## Technical assistance service (not for UK)

You are welcome to telephone our technical assistance service (see list of technical assistance centres) whenever you need information or in the unlikely event of a fault.

For service in Australia call 1300 650 020.

When calling, please be ready to specify:

1. **The model code number**
2. **The serial number (E-Nr.)**
3. **The manufacturing number (F-Nr.)**

**This information is shown on the registration plate inside the unit behind the grease filter.**

We reserve the right to change specifications and colours as a result of our policy of continuing technological development.

## Service and spare parts for UK

In the event of your appliance requiring service, or if you wish to purchase spare parts, contact your local ELECTROLUX Service Force Centre by telephoning: **08705 929 929**

Your call will be automatically routed to the Service Centre covering your post code area. For the address of your local Service Force Centre and further information about Service Force, please visit the website at [www.serviceforce.co.uk](http://www.serviceforce.co.uk)

Please ensure that you have read the section „What to do if...“ as the engineer will make a charge if the fault is not a mechanical or electrical breakdown even the appliance is under warranty. **Please note that proof of purchase is required for in-guarantee service calls.**

### Help us to help you

Please determine your type of enquiry before writing or telephoning.

When you contact us we need to know:

- Your name
- Address and post code
- Telephone number
- Clear and concise details of the fault
- Name and model of the appliance\*
- E number\*

\* This information can be found on the rating plate, which can be seen when the grease filters are removed.

## CUSTOMER CARE DEPARTMENT

For general enquiries concerning your Electrolux appliance or for further information on Electrolux products, please contact our Customer Care Department by letter or telephone at the address below or visit our website at [www.electrolux.co.uk](http://www.electrolux.co.uk)

Customer Services Department

Major Appliances

Electrolux

Addington Way

Luton

Bedfordshire

LU4 9QQ

08705 950 950 (\*)

\* calls to this number may be recorded for training purposes.

## Technical Specifications

Dimensions	Height	70.8 - 112.3 cms
	Width	89.8 cms
	Depth	50 cms
Lighting		2 x 20 W
Grease filter		1
Power absorption		200 W

We reserve the right to generate constructive and chromatic modifications as required by technological growth.

# Installation

## Unpacking

Check that the cooker hood has no damages. Transportation damages should immediately be reported to the one responsible for the transport. Damages, faults and eventually missing details should immediately be reported to the seller. Take care of the packing material so that small children cannot play with it.

## Location

The hood is to be mounted on the wall. When installed, the hood must be not less than 50 cm. above electric burners or 70 cm. above gas or mixed-fuel burners (Fig. 6).

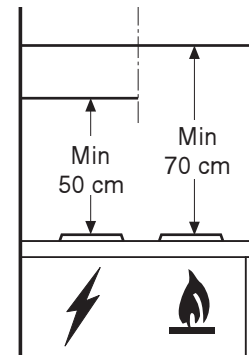


Fig. 6

## Electrical connection (not for UK)

### Safety warnings for the electrician

Before connecting the appliance to the power supply, check that the voltage indicated on the rating plate corresponds to the mains power supply available. Appliances fitted with a plug can be connected to any standard power socket within easy access.

Should it be necessary to provide a fixed connection, the hood must only be installed by an electrician authorised by the local electricity board. When installing, an omnipolar disconnector with a distance of at least 3 mm between contacts must be provided.

Fixed connection of the appliance must only be carried out by an authorised electrician.

## Electrical connection for UK only

### Safety warnings for the electrician

Connect the hood to the mains supply via a double pole switch which has 3 mm minimum separation between the contacts.

The switch must be accessible at all times.

The following is valid in the United Kingdom only:

- the wire which is coloured green and yellow must be connected to the terminal which is marked with the letter E or by the earth symbol (  $\perp$  ), or coloured green or green and yellow;
- the wire which is coloured blue must be connected to the terminal which is marked with the letter N or coloured black, -
- the wire which is coloured brown must be connected to the terminal which is marked with the letter L or coloured red.

## Mounting accessories included

- 1 deflector
- 1 chimney support (3 pieces to assemble)
- 2 metal screws 3,5 x 9,5 (to affix the deflector to the support)
- 1 reduction flange Ø 125-120 mm (Only for model EFC 9460 X / 942 120 705)
- 1 support bracket
- 5 wood-screws 5 x 45 mm (for wall mounting)
- 5 wall plugs Ø 8 mm (for wall mounting)
- 2 metal screws 2,9 x 6,5 (for chimney flue mounting)
- 6 metal screws 4 x 20 (to affix the screen to the cooker hood)
- 1 allen spanner (for TORX 10/20 screws)

# Installation

## Wall unit mounting - Fig. 7

Disconnect the hood during electrical connection, by turning the home mains switch off. Remove the 2 screws fitted inside the lower part of the hood at the points in which it is fixed to the motor unit (see also operation 3).

- Rest the motor unit on a flat surface and thread the lower part of the chimney section onto it (1).
- Make all the electrical connections between the two parts (2).
- Secure the two parts using 8 screws (3).
- Mark the wall with a centre line, this will aid the fixing procedure (4), position the template so that the mid line printed on the template matches with the centre line previously marked, the lower side of the template corresponds to the lower side of the hood once installed (5).
- Drill two holes  $\varnothing$  8mm and fix the support bracket with two wall plugs and screws (6).
- Hang the hood (7) adjust its position (8-9) and from the inside of the hood mark one point for final fixing (10), remove the hood (11) and drill an hole  $\varnothing$  8mm (12), fit a wall plugs (13).
- Drill two holes  $\varnothing$  8mm on the upper side close to the ceiling (14), fit two wall plugs and fix the chimney support with two screws (15).
- Hang the hood again (16).
- Fix it securely with a screw (17). To simplify the installation operation remove the charcoal filter frame.
- If the hood is used in the **recirculation function**, fix the deflector F on the chimney support G with 2 screws and fit an extraction pipe (18 - not supplied) to connect deflector to the outlet hole D of the hood. In case the hood is to be used in exhausting version, then the deflector must not be mounted and fit an extraction pipe (18) to connect outlet hole D of the hood to the outside.
- Make the electrical connection (19), but leave the hood disconnected from the household mains supply.
- Fix the chimney (20a) to the chimney support (20b).

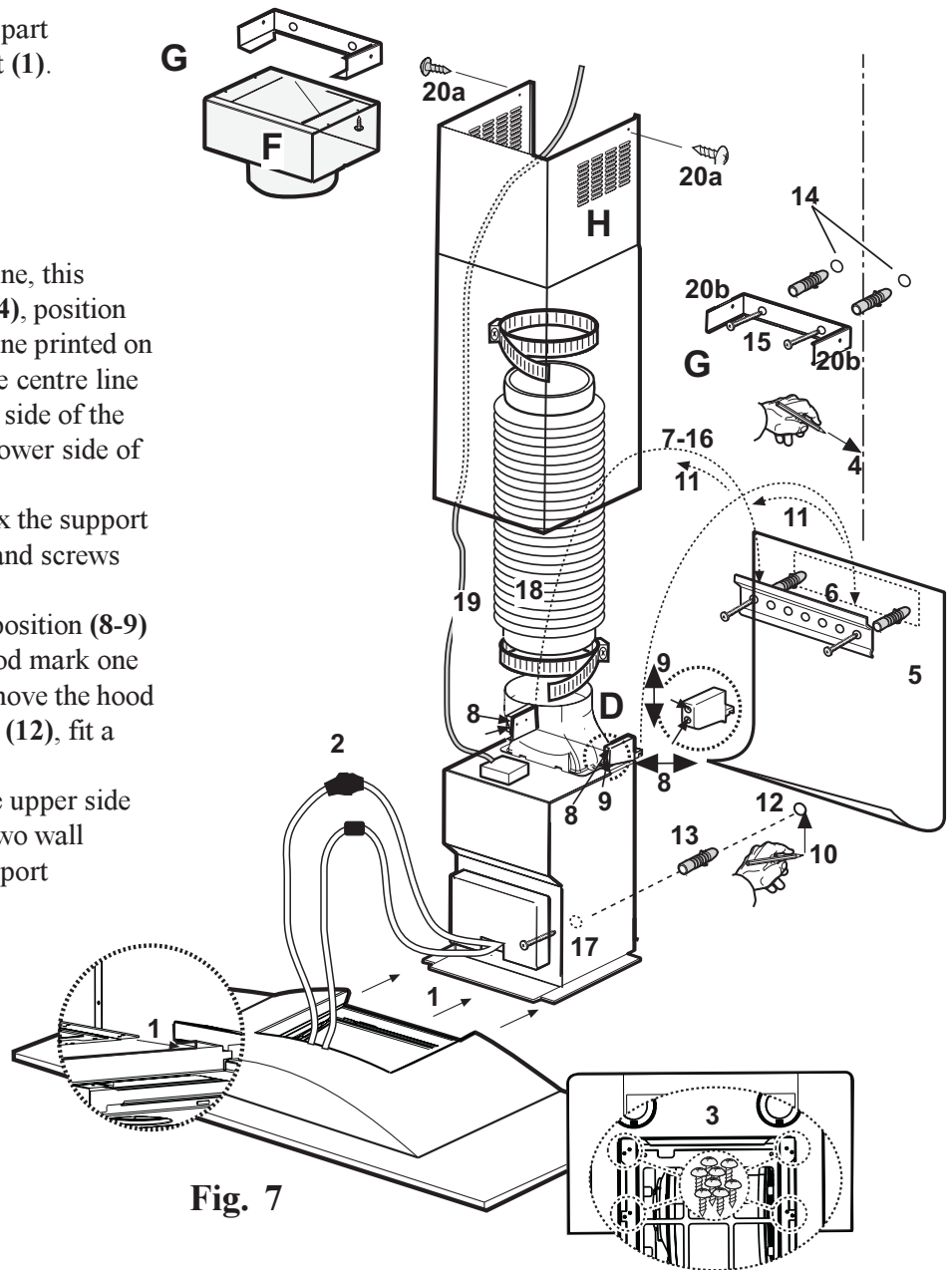


Fig. 7

Slide down the lower section on the proper housing on top of the hood. Connect the hood to the household mains supply and check that the hood works correctly.



# Electrolux

 **The Electrolux Group. The world's No. 1 choice.**

*The Electrolux Group is the world's largest producer of powered appliances for kitchen, cleaning and outdoor use. More than 55 million Electrolux Group products (such as refrigerators, cookers, washing machines, vacuum cleaners, chain saws and lawn mowers) are sold each year to a value of approx. USD 14 billion in more than 150 countries around the world.*